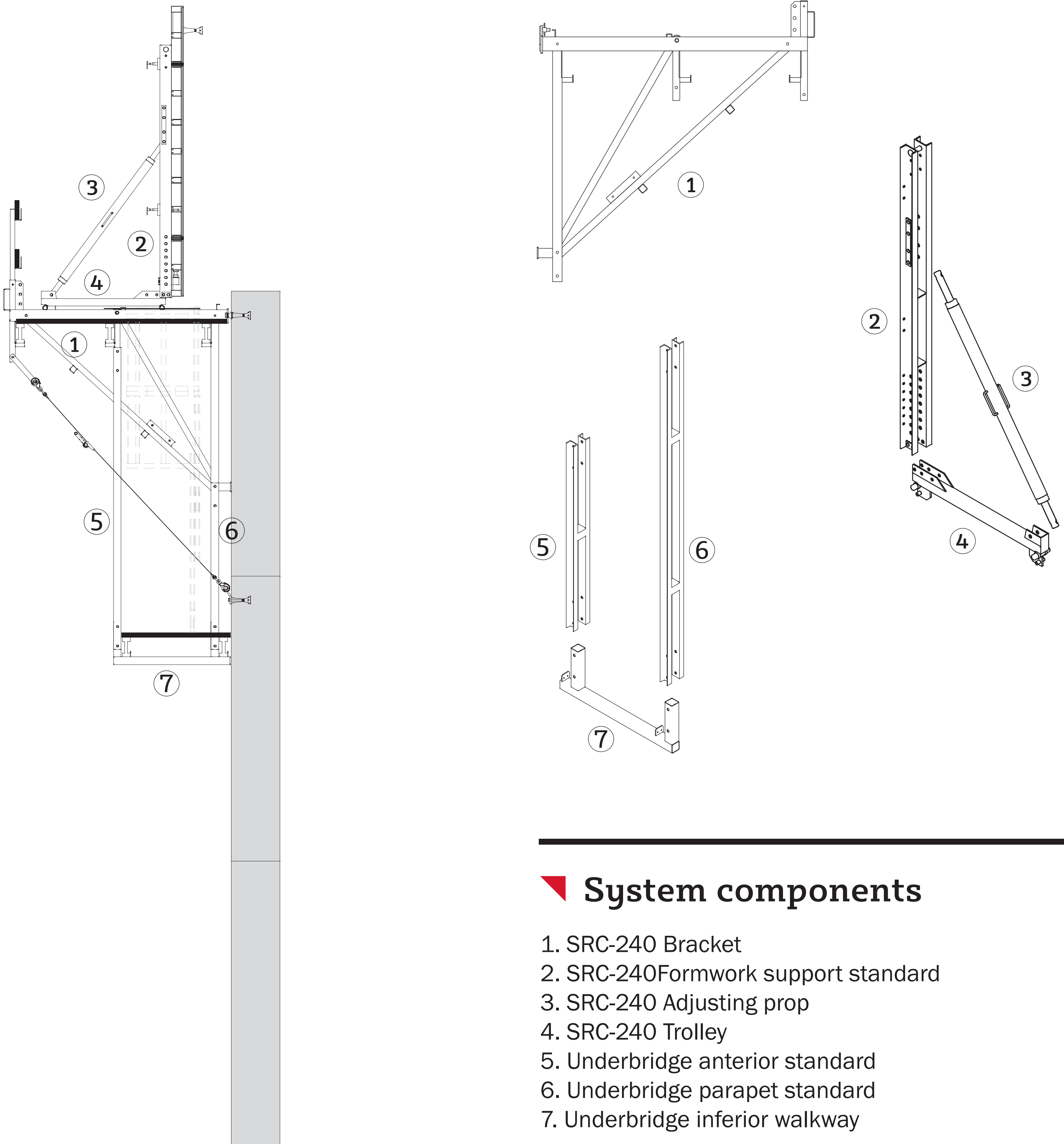




# SRC-240 SYSTEM

*climbing system*



---

## ▼ System components

1. SRC-240 Bracket
2. SRC-240 Formwork support standard
3. SRC-240 Adjusting prop
4. SRC-240 Trolley
5. Underbridge anterior standard
6. Underbridge parapet standard
7. Underbridge inferior walkway

---

# CONDOR

[www.condorspa.com](http://www.condorspa.com)