



MA SYSTEM

trench shoring

▼ Module size

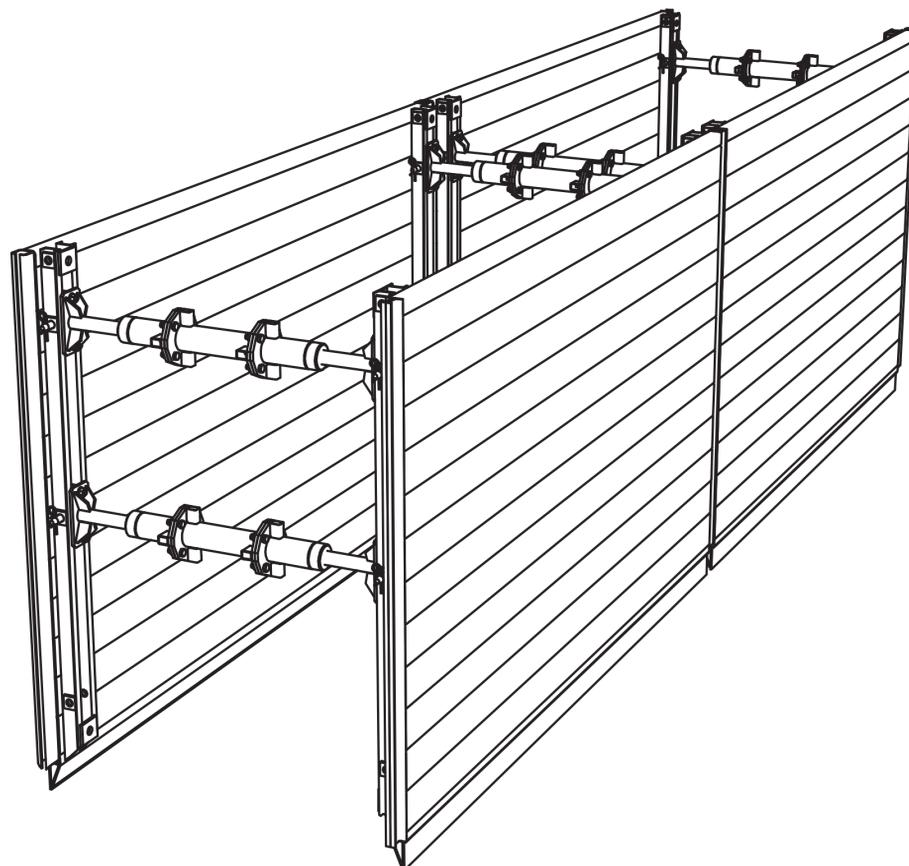
Length (cm): 300

Height(cm): 200/120/60

Width (cm): variable, MAX 200

▼ Maximum casting pressure: 22 kN/m²

▼ Maximum depth reachable: 4,40m



CONDOR

www.condorspa.com