



RISK FREE

frame scaffolding with bushes

▼ Frame size

Width (cm): 105
Height (cm): 200
Tube \varnothing 48.3x2,9mm

▼ Front frame size

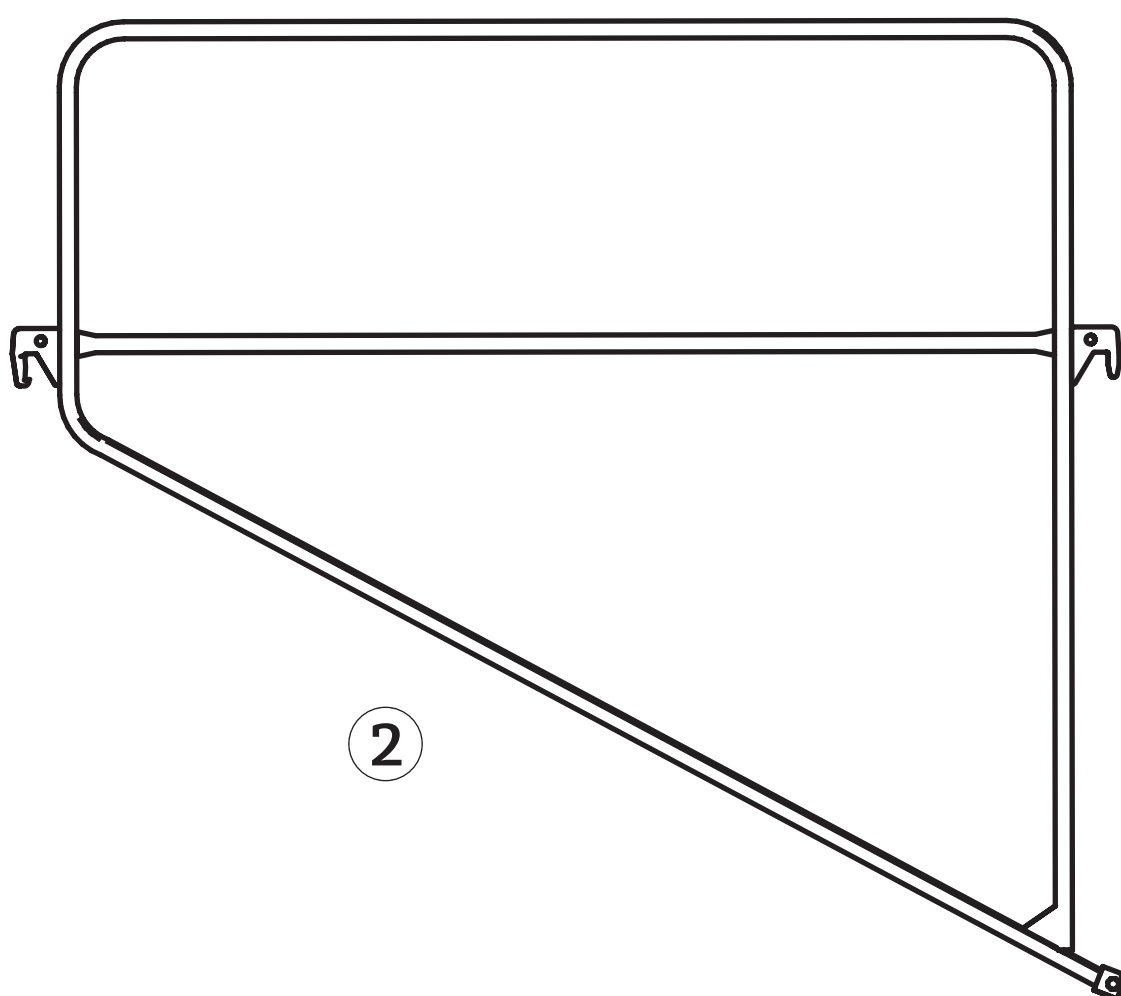
Width (cm): 75/ 105/ 150/ 180/ 200/ 250
Tube \varnothing 26.9x2,0mm

▼ Ledger size

Width (cm): 75/ 105/ 150/ 180/ 200/ 250
Tube \varnothing 26.9x2,0mm / 33x2,0mm

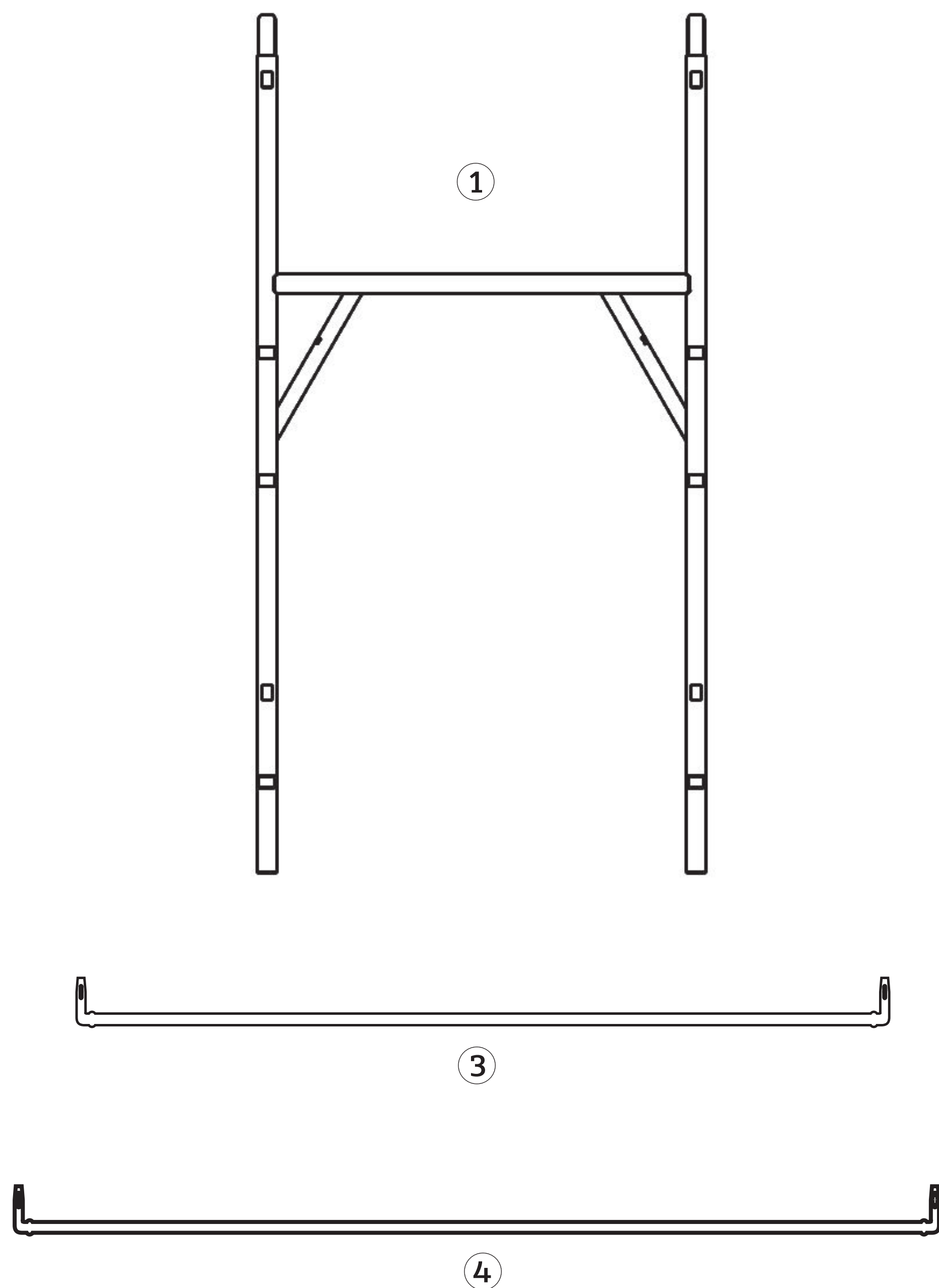
▼ Diagonal brace size

Width (cm): 265/ 220/ 202/ 178/ 144/ 125
Tube \varnothing 26.9x2,3mm / 33x2,0mm



▼ System components

1. Frame
2. Front Frame
3. Ledger
4. Diagonal brace



CONDOR

www.condorspa.com