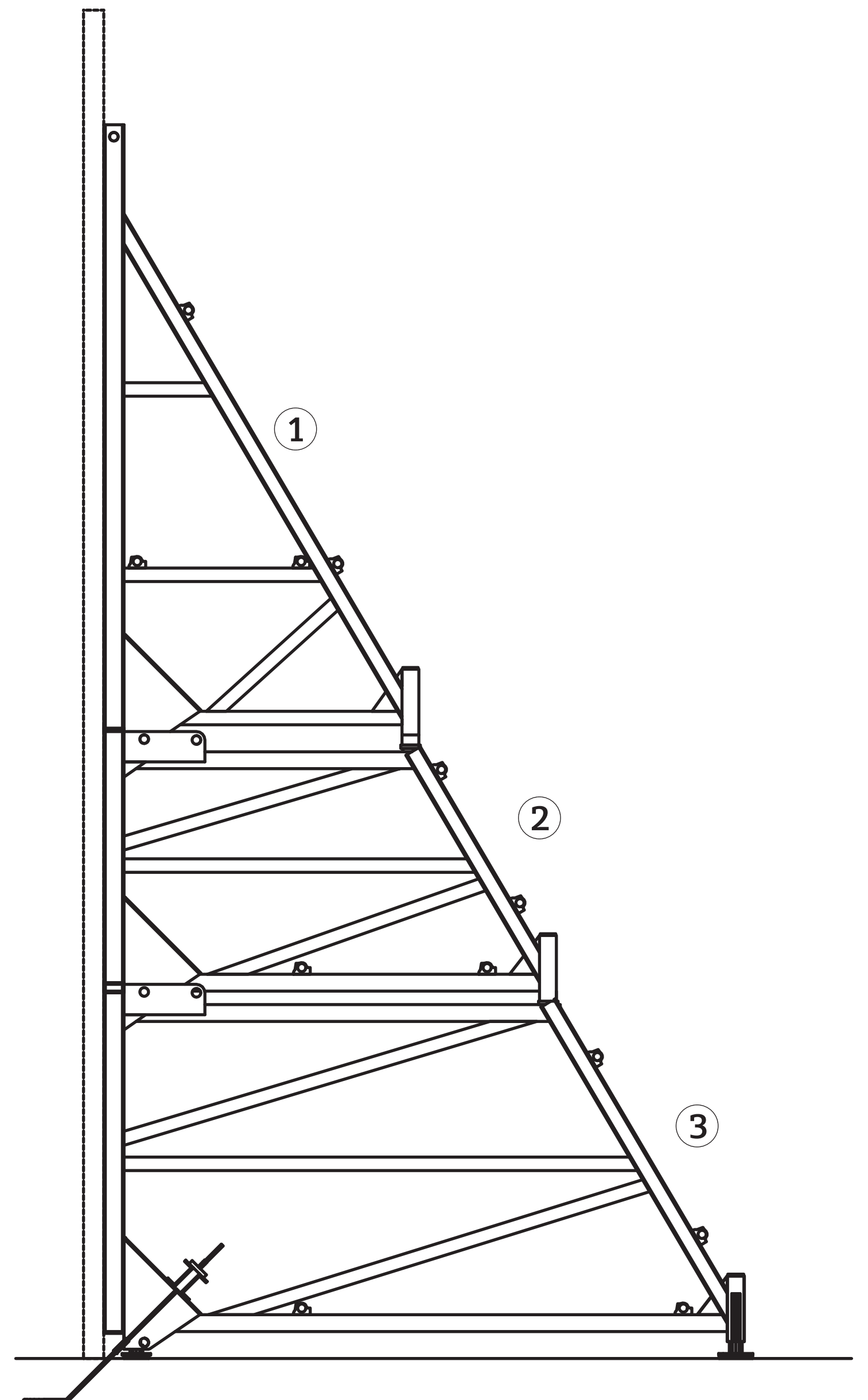
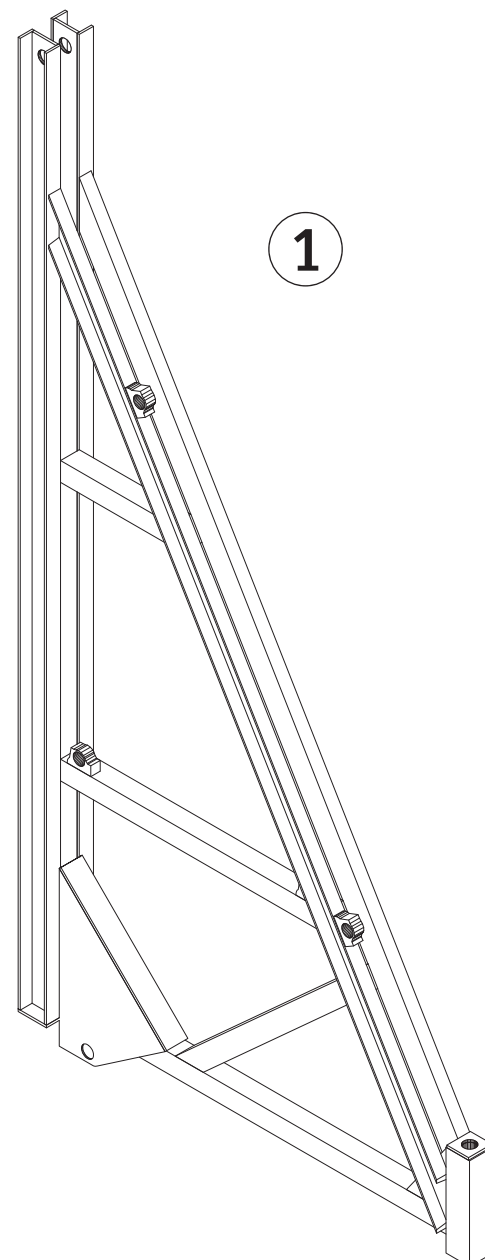
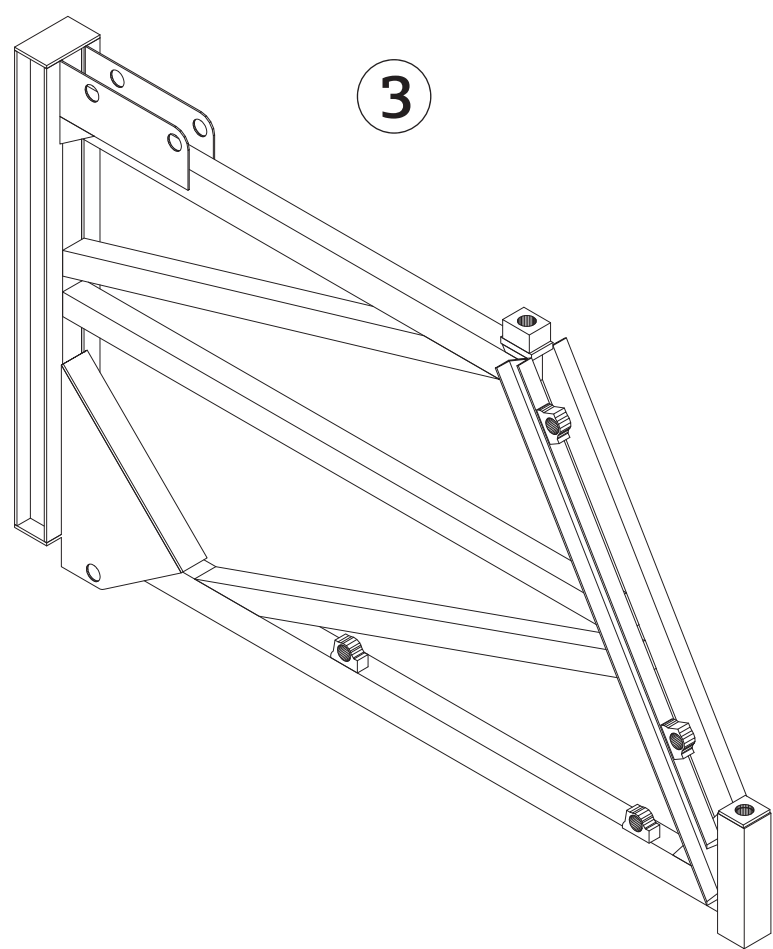
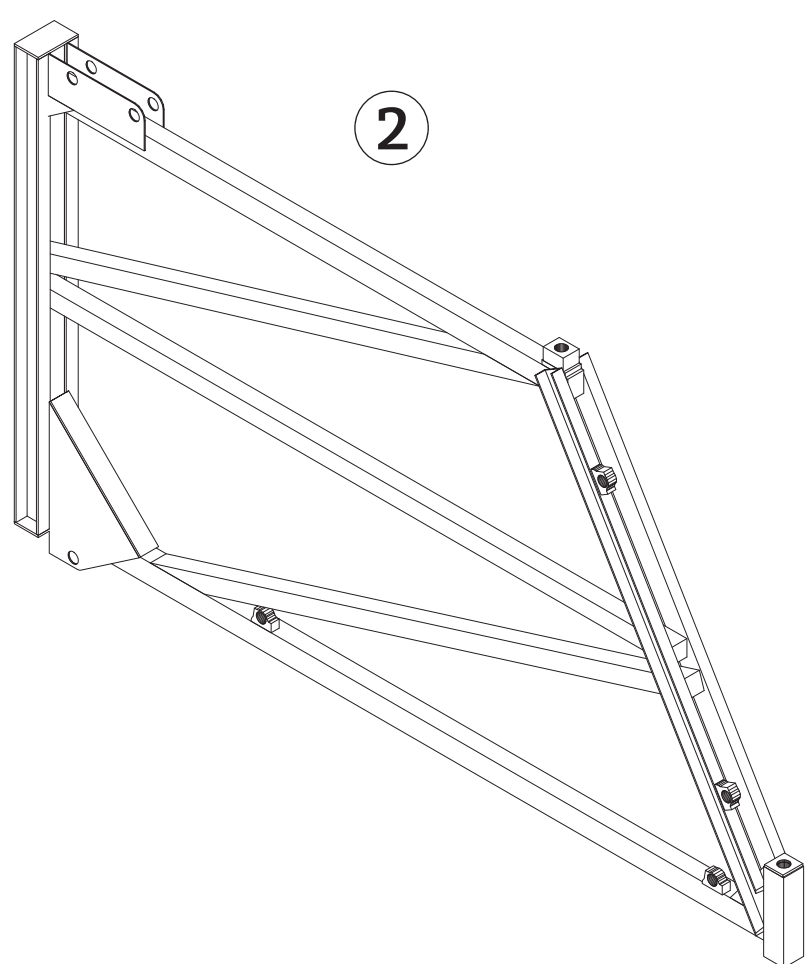




MF

earth-retaining system

▼ Max height: 840cm



▼ System components

1. Single-face MF-C
2. Single-face MF-B
3. Single-face MF-A

CONDOR

www.condorspa.com