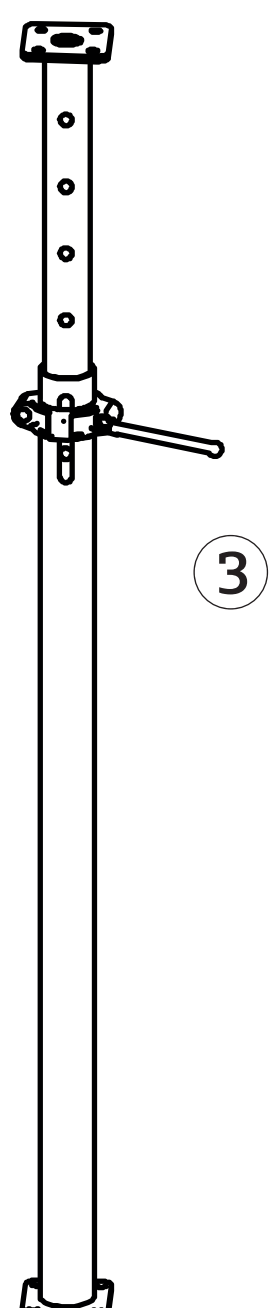
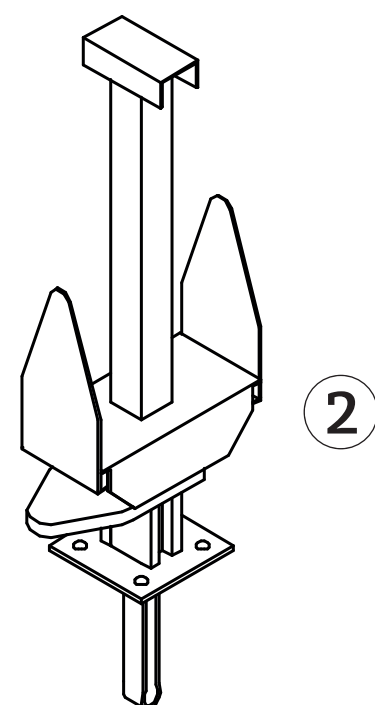
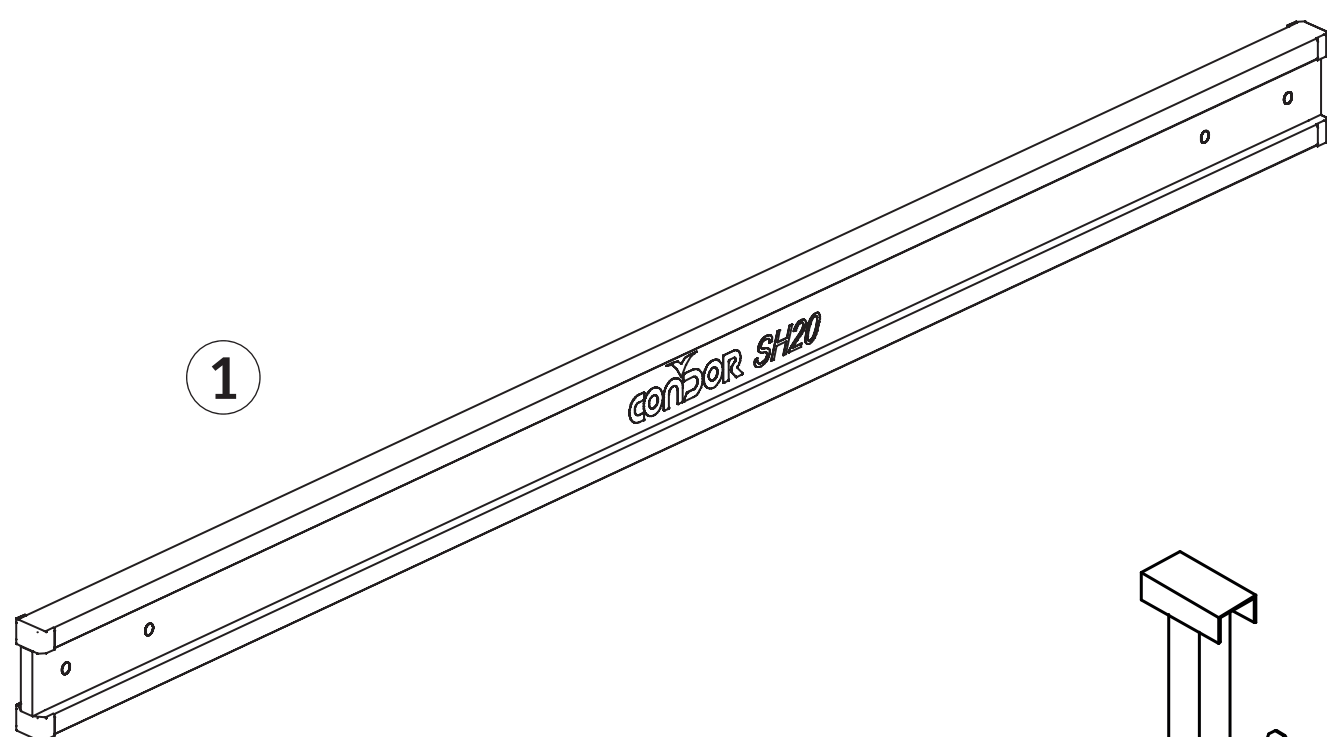
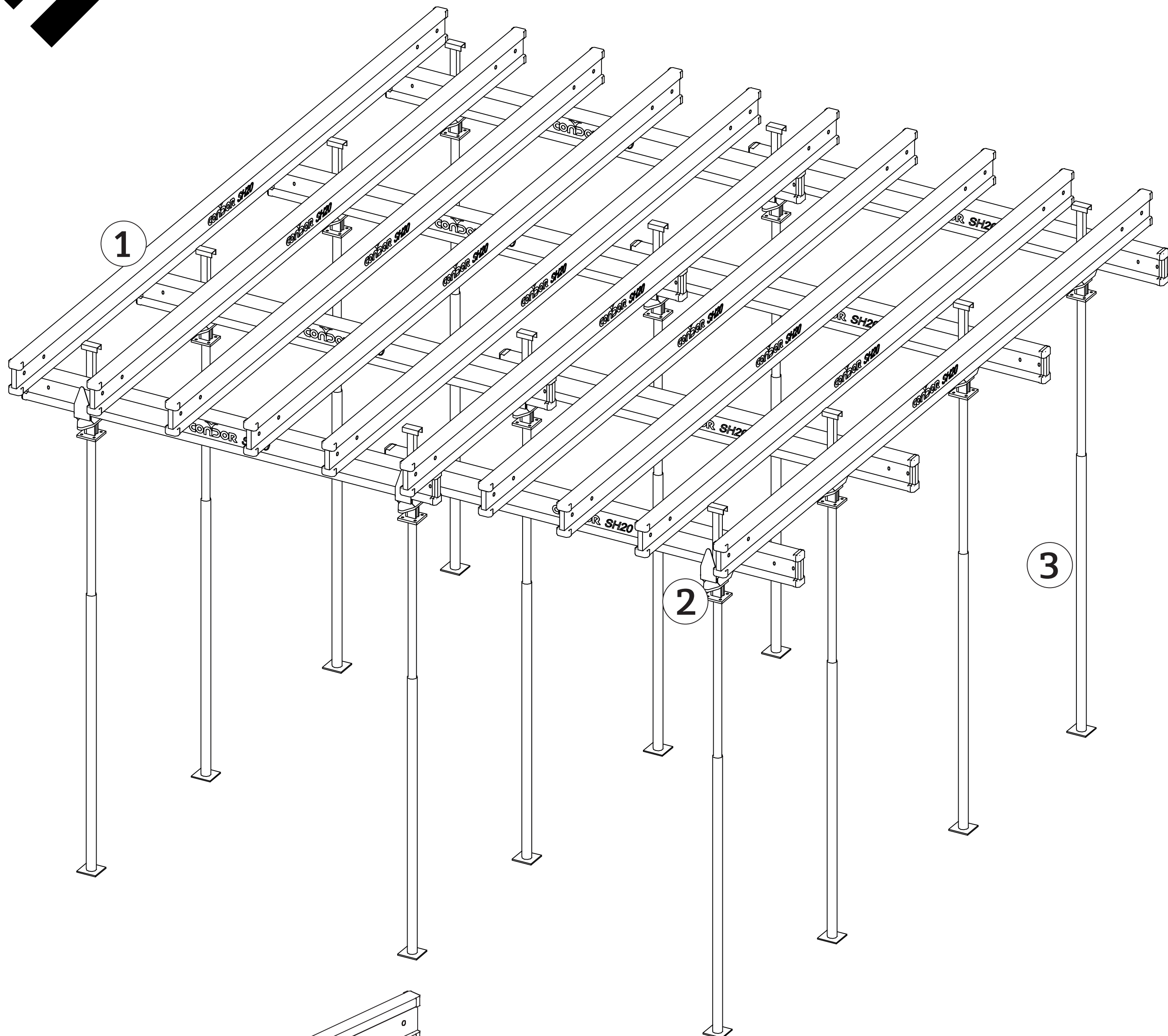




# ECO

slab formwork



---

## System components

1. SH20 Beam
2. TDA Drop head
3. CEP Props

# CONDOR

---

[www.condorspa.com](http://www.condorspa.com)