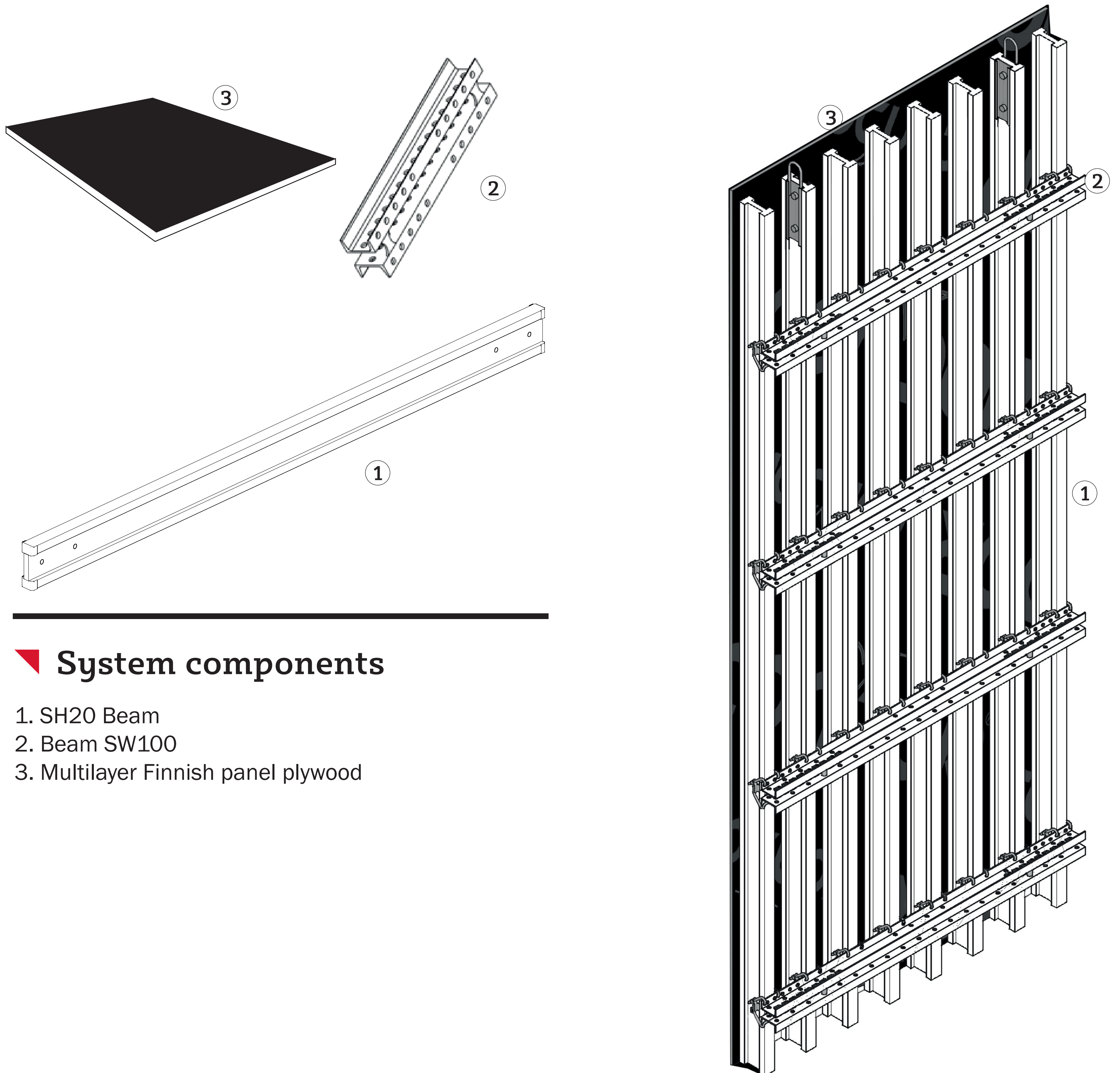




BEAM FLEX

formwork



System components

1. SH20 Beam
2. Beam SW100
3. Multilayer Finnish panel plywood

CONDOR

www.condorspa.com