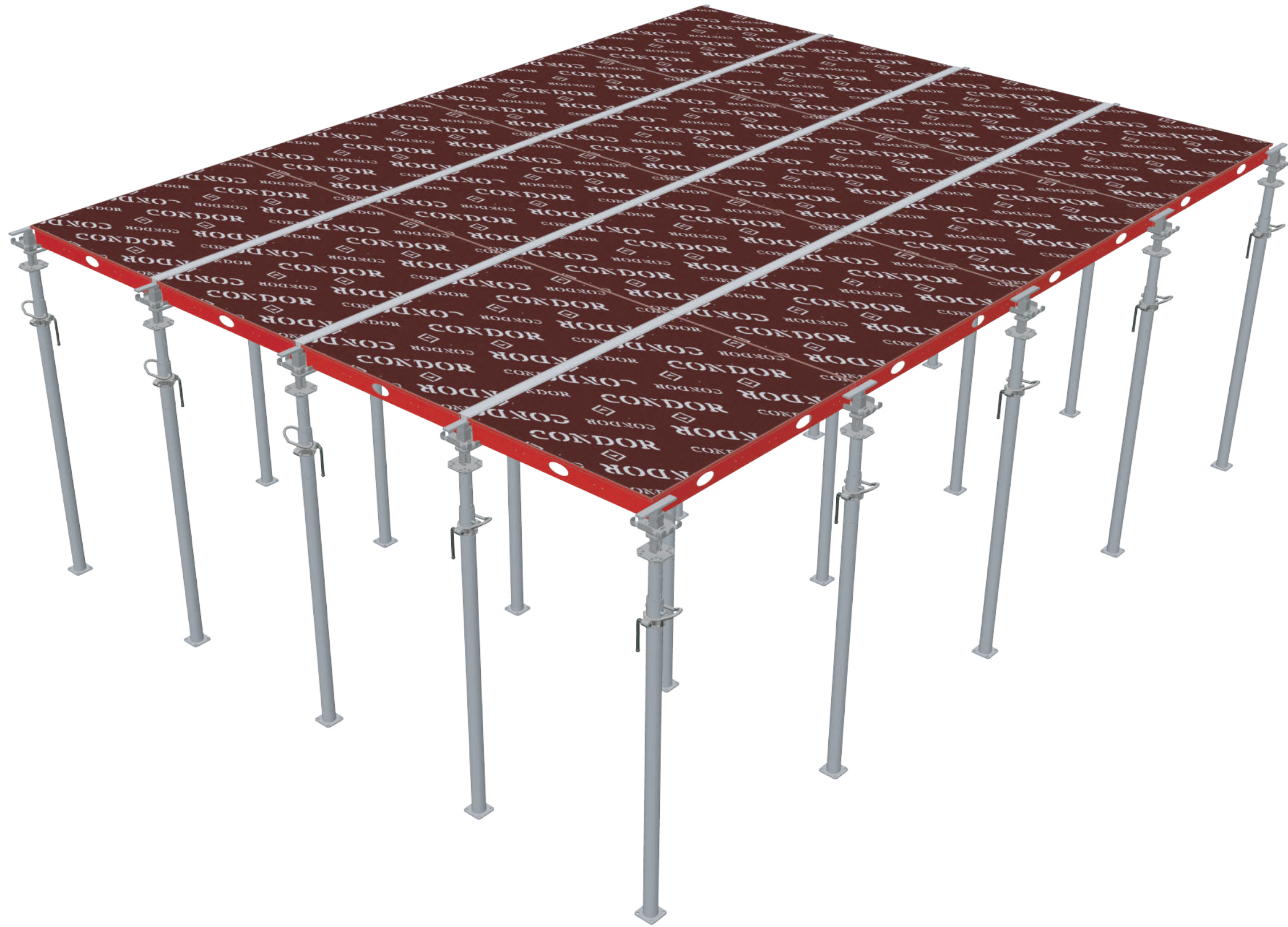




# ALUPLUS

slab formwork



---

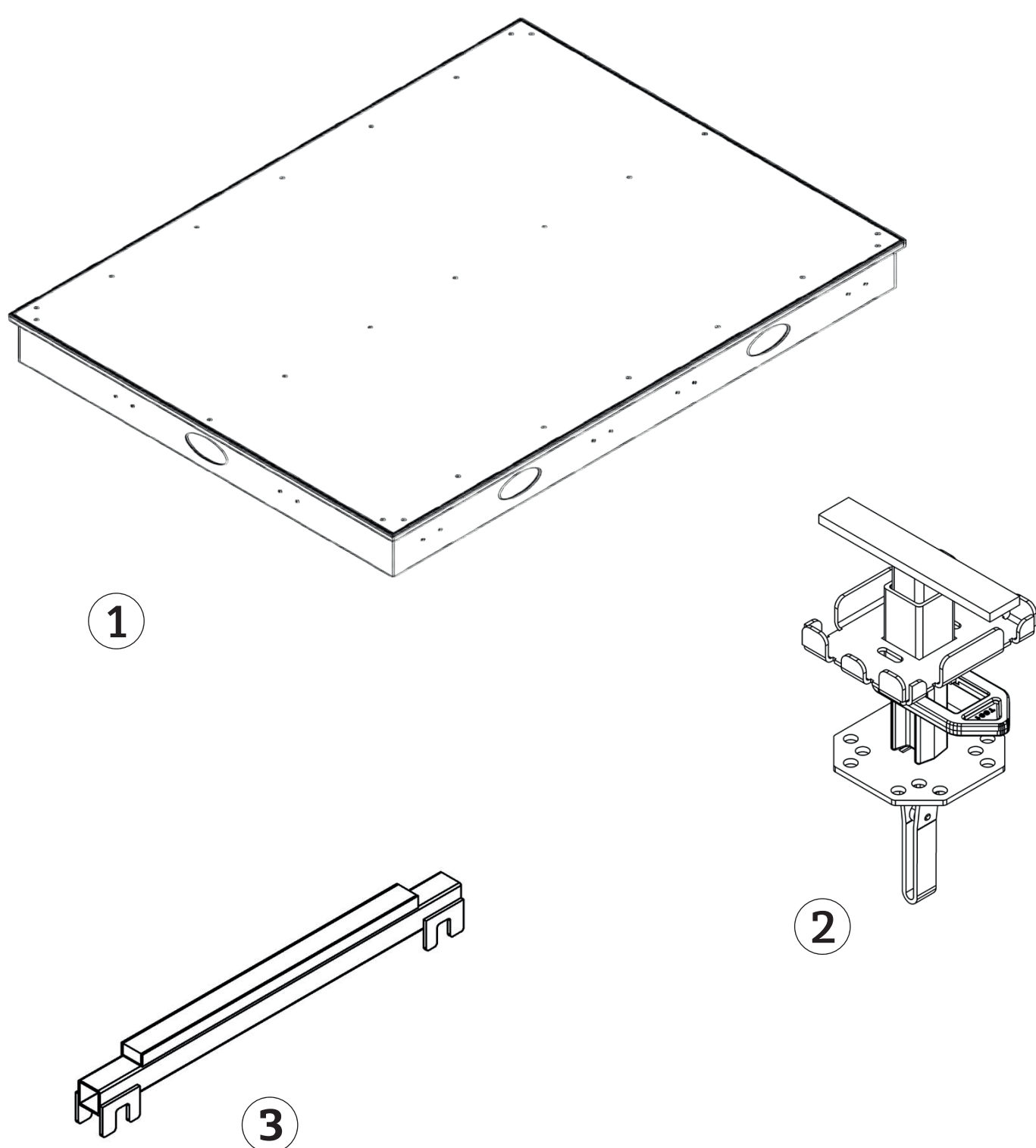
## ▼ Panels size

1125 x 375mm  
1125 x 750mm  
1125 x 1500mm

---

## ▼ System components

1. Aluplus panel
2. Aluplus drop-head
3. Compensation



---

# CONDOR

[www.condorspa.com](http://www.condorspa.com)