



COMAX

Stripping corner

Components:

The system consists of the following components:

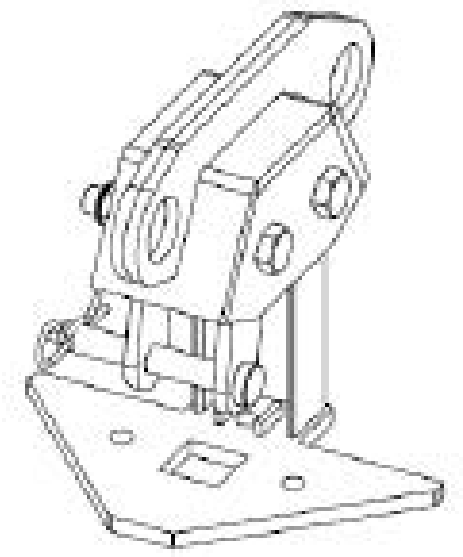
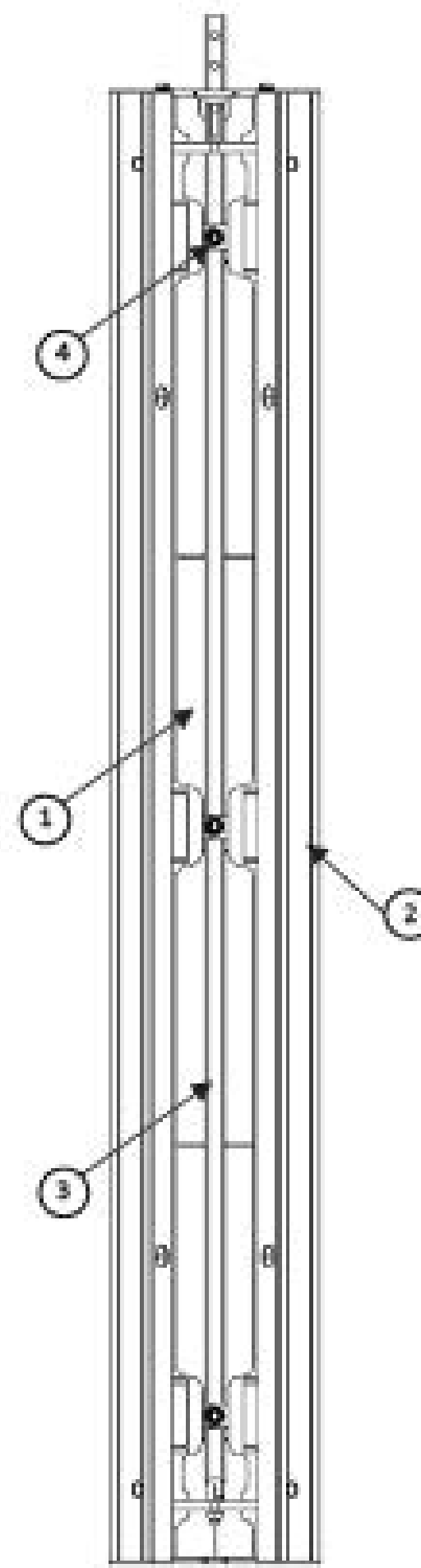
1. Fixed part
2. Moving part
3. Central vertical tube
4. Hinge

Features:

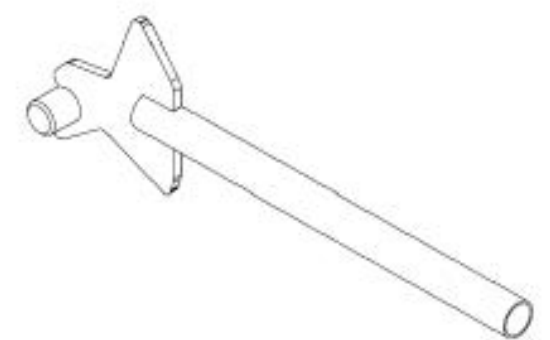
- Available in 4 heights: 150, 270, 300, 330cm
- Max. load capacity 80 KN/m²

Operation:

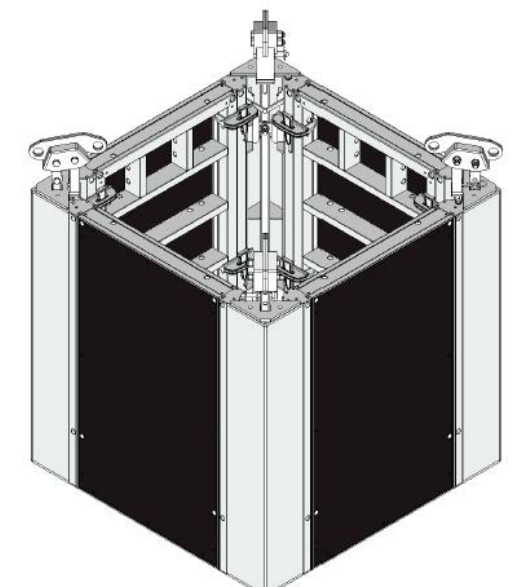
- The corner can be operated by hand: by means of the striking lever (Procedure 1);
- The corner can be operated with the aid of a crane: by means of chains attached to the striking head (Procedure 2).



Striking head

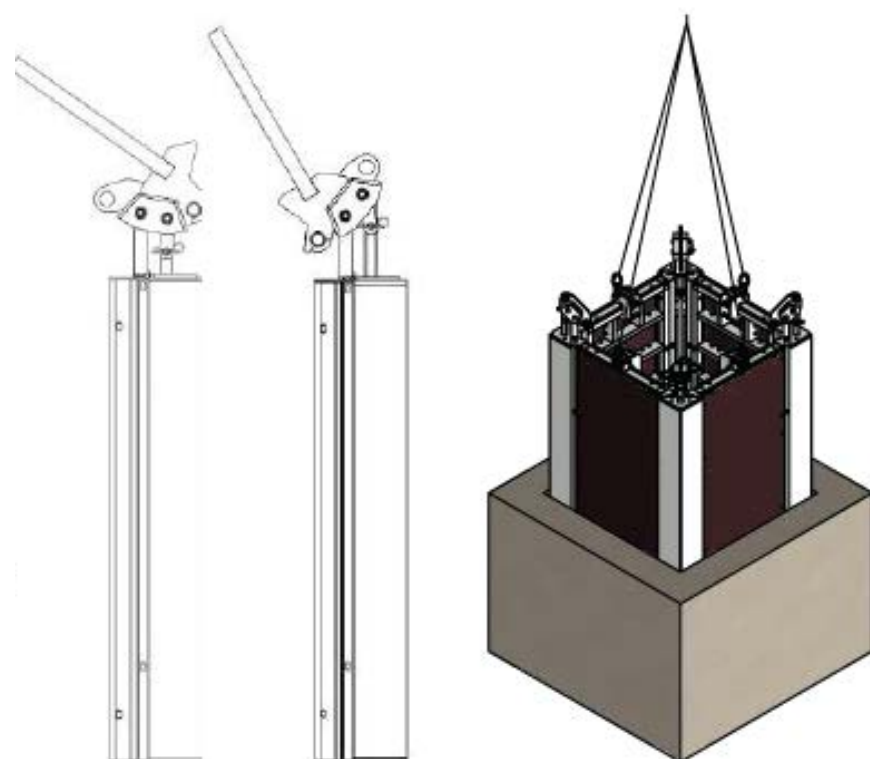


Striking lever

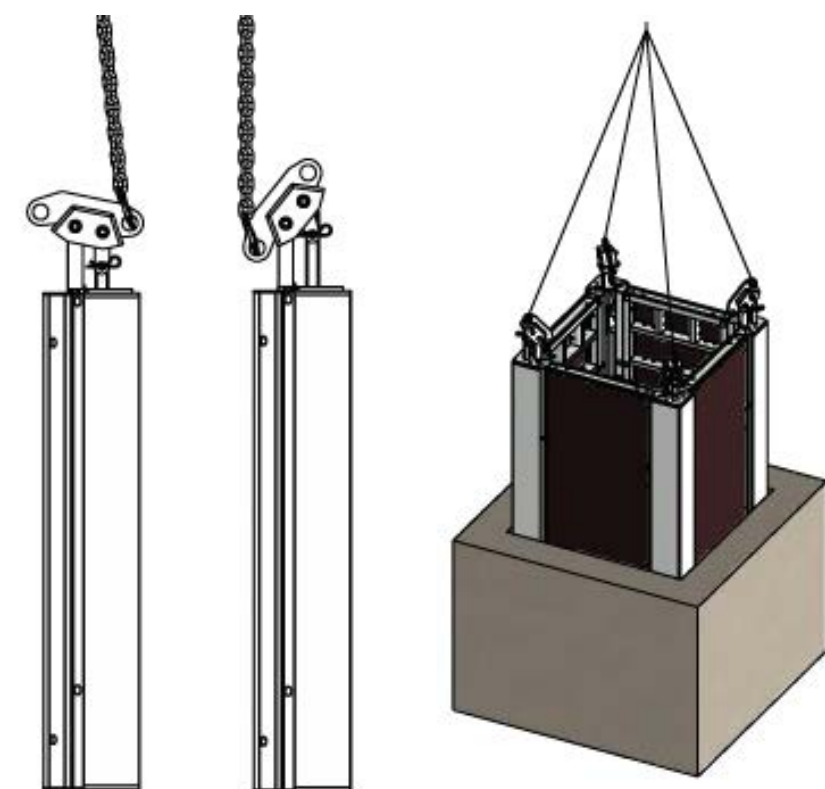


Closed shaft

1. Opening-closing corner by striking bar



2. Extraction from the shaft by lifting hook



CONDOR

www.condorspa.com