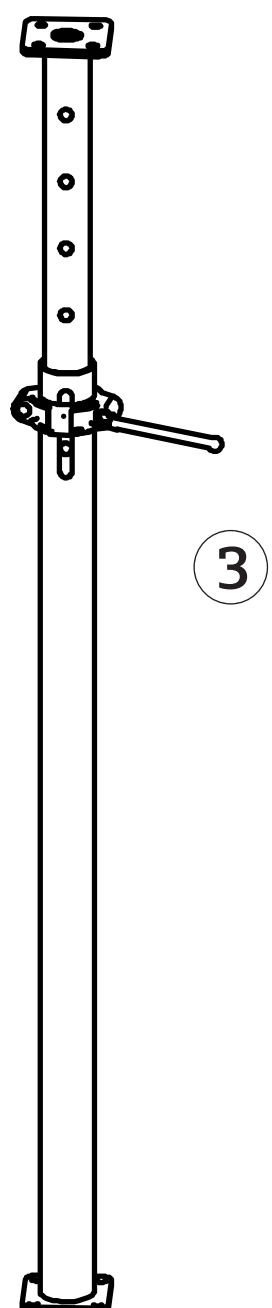
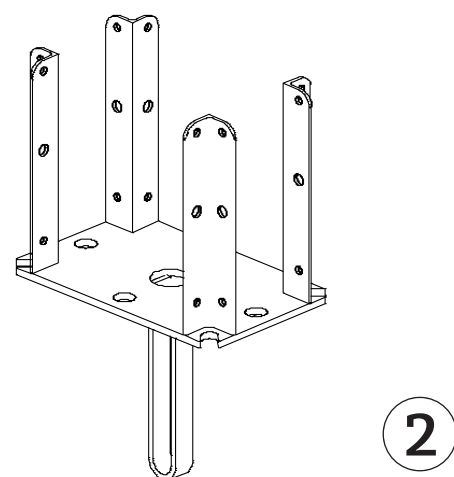
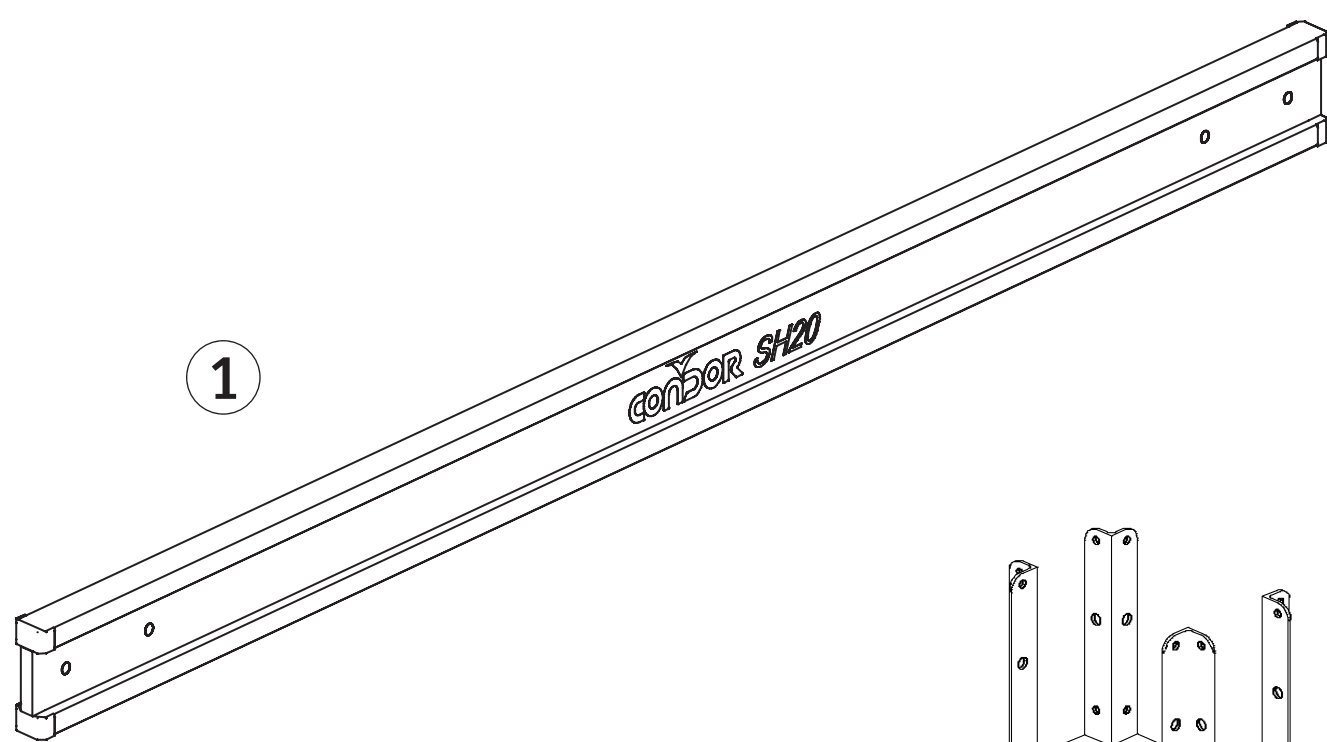
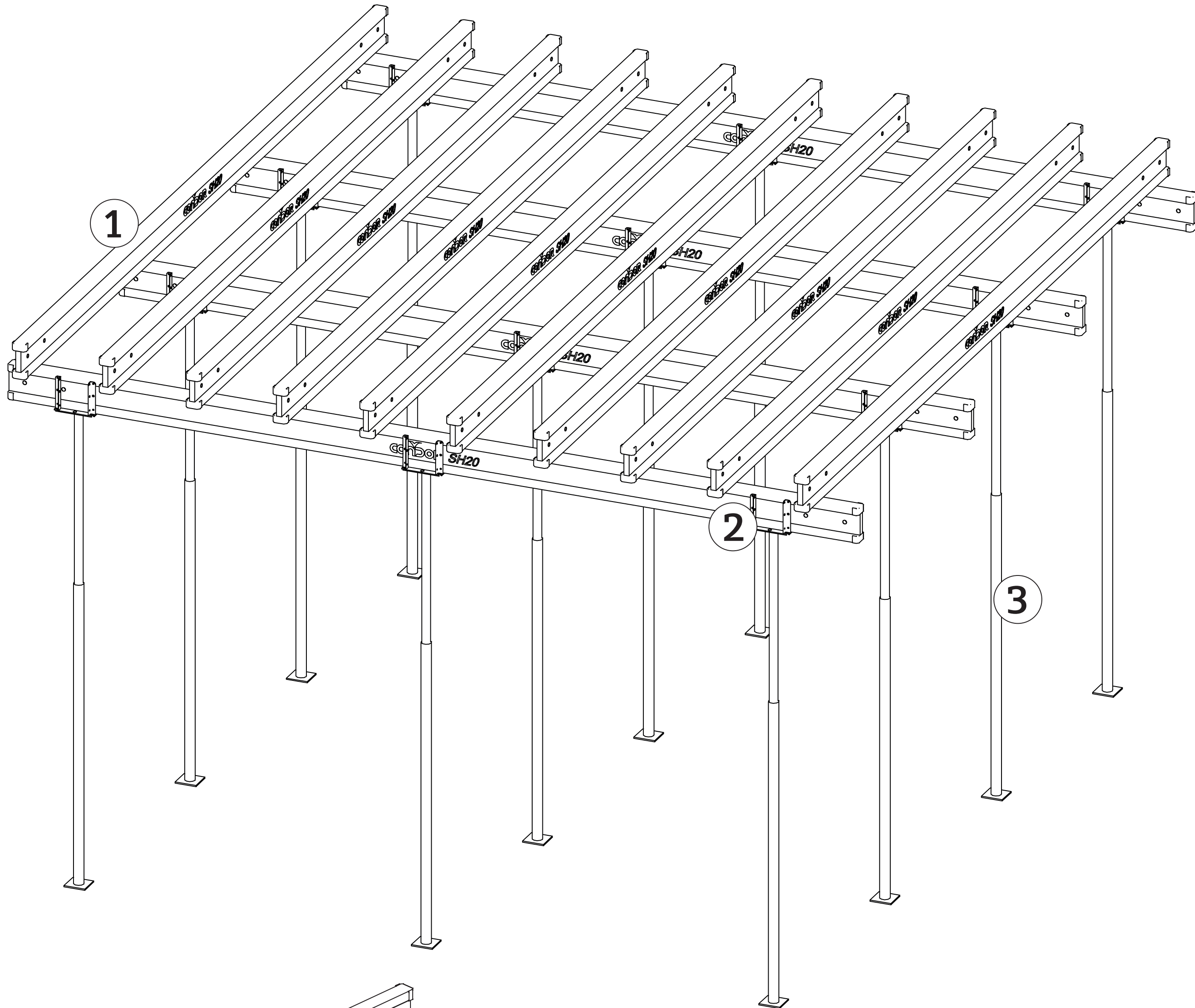




20FLEX

slab formwork



System components

1. SH20 wooden beams
2. Galvanized crosshead
3. CEP Prop

CONDOR

www.condorspa.com